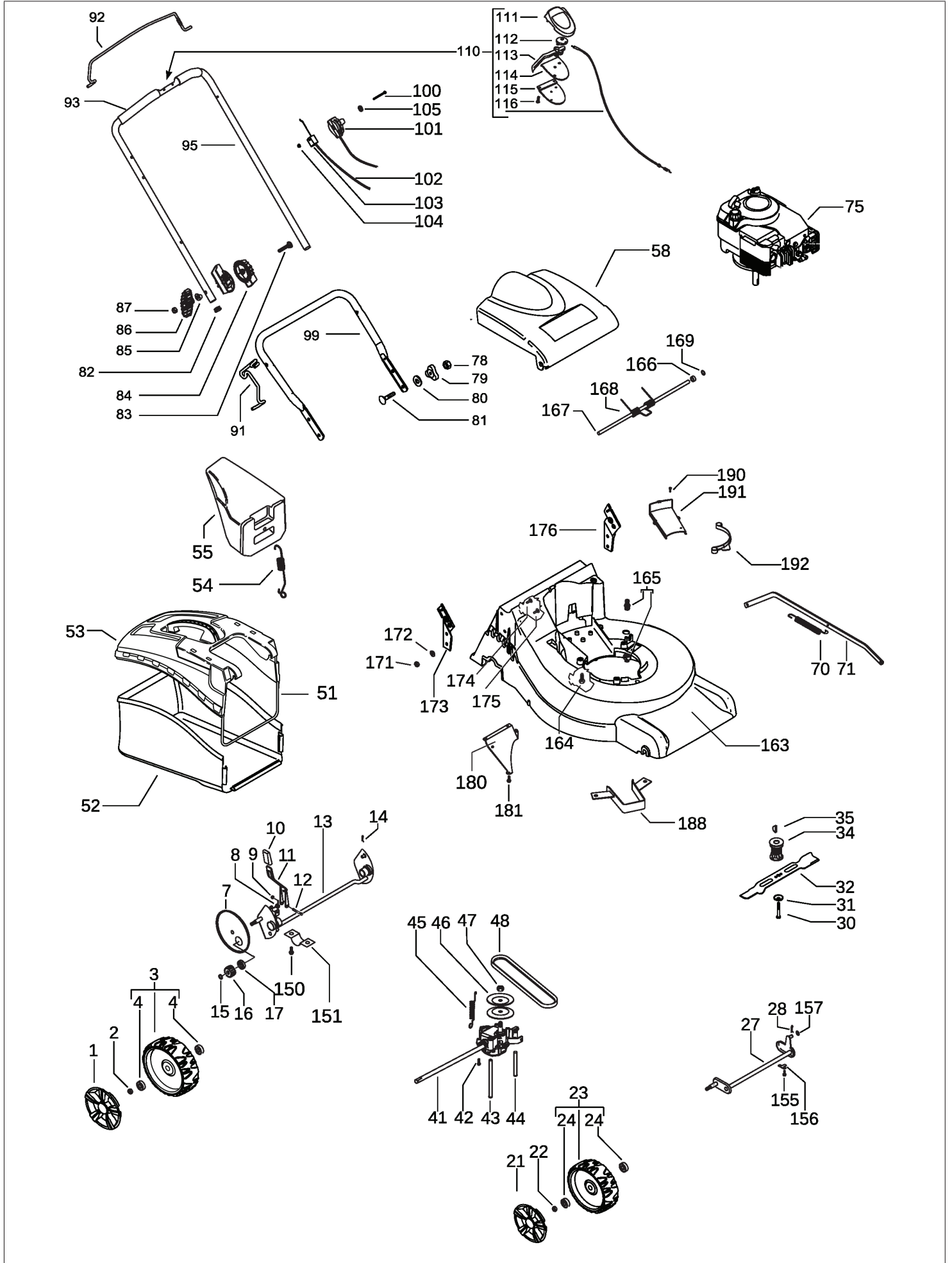


PNC	ML	Model	Brand
966654201	00	M51-160CMDA ALU	McCulloch

Number of Pages 1 of 3

Factory:	IIQ - Valmadrera	Product Group:	OP 93
Publication Number:	MIPL2010_V450000001	Petrol Portable	
Publication Date:	08/11/10	Sub Group	1071

HUSQVARNA ITALIA SPA



HUSQVARNA ITALIA SPA

Item	PN	Description	Qty	Item	PN	Description	Qty
1	574 39 65-01	wheel cover Ø210	2	93	544 91 34-01	sheating handle	2
2	504 85 78-01	nut M8, self locking, flanged	2	95	504 87 93-01	handle, upper half	1
3	574 45 11-01	wheel assy Ø210	2	98	531 20 55-81	binder	2
4	531 20 87-78	ball bearing	4	99	531 20 51-18	handle, lower	1
7	504 82 73-01	dust shield Ø210	2	100	576 13 60-01	screw M6x65	1
8	531 21 08-17	spring, wheel regulator lever	1	101	574 36 14-01	throttle lever and cable	1
9	531 20 84-92	nut M5, self locking	1	102	531 21 35-22	brake cable	1
10	531 20 79-86	handle, wheel regulator	1	103	531 20 80-43	cable support	1
11	501 97 99-01	wheel regulator lever	1	104	531 20 80-63	nut M6	1
12	538 23 58-07	screw M5x45	1	105	531 20 66-66	washer	1
13	504 80 01-01	rear axle	1	110	544 93 29-08	EZ control assy	1
14	531 20 66-53	cotter pin	1	111	532 41 35-42	cover	1
15	531 20 87-72	seeger	2	112	532 18 73-53	pulley	1
16	544 34 23-01	gear	2	113	505 53 12-01	lever	1
17	531 20 87-78	ball bearing	2	114	532 41 35-41	plate	1
21	574 39 64-01	wheel cover Ø190	2	115	532 18 70-97	holder	1
22	504 85 78-01	nut M8, self locking, flanged	2	116	532 18 16-98	screw	5
23	574 45 09-01	wheel assy Ø190	2	117	544 90 79-01	cable	1
24	531 20 87-78	ball bearing	4	150	531 20 73-85	screw	4
27	504 85 65-01	front axle	1	151	531 20 66-52	rear axle holder	2
28	531 20 66-53	cotter pin	1	155	531 20 78-56	screw	4
30	531 20 66-49	screw, 3/8"	1	156	531 20 55-36	front axle holder	2
31	531 20 72-37	spring washer	1	157	531 20 49-06	washer	2
32	504 11 33-01	mulching blade	1	163	531 21 32-75	deck	1
34	504 59 13-01	blade support	1	164	531 21 38-45	screw 3/8 + split washer	3
35	504 59 14-01	key	1	165	531 20 58-48	snap on connector 1/2"	1
41	544 42 89-03	gear box	1	166	531 21 19-66	spacer	1
42	510 03 75-01	screw 4x16, self threading	2	167	531 21 33-44	safety flap bar	1
43	504 10 32-01	belt guide D10x200	1	168	501 32 25-01	spring	1
44	544 93 43-01	belt guide D8	1	169	531 20 76-57	washer	2
45	544 93 47-01	gear box spring	1	171	531 20 79-82	nut M8	4
46	504 54 79-01	pulley plate	2	172	531 20 79-81	washer	4
47	504 54 80-01	nut	1	173	531 20 65-36	handle support dx	1
48	504 03 51-01	belt Z33 10X825	1	174	531 20 57-41	screw M8x16	2
51	501 32 24-01	sack frame	1	175	531 20 49-21	screw M8x25	2
52	531 21 32-11	sack	1	176	531 20 65-38	handle support sx	1
53	501 32 21-01	sack cover	1	180	501 96 60-01	deflector	1
54	531 20 58-31	spring, mulching plug	1	181	531 20 78-56	screw	3
55	531 21 32-26	mulching plug	1	188	544 46 86-01	belt guide	1
58	501 32 23-01	safety flap	1	190	531 20 78-56	screw	2
70	531 20 57-15	wheel regulation spring	1	191	531 21 32-25	belt cover	1
71	531 21 32-22	wheel regulation bar	1	192	531 20 63-08	cover	1
75	—	engine, Honda GCV160E-A4-G9-SD	1				
78	531 20 79-82	nut M8	1				
79	531 20 49-23	knob	2				
80	531 20 49-22	washer	2				
81	531 20 49-21	screw M8x25	2				
82	531 20 89-50	cap	2				
83	531 20 58-42	screw 8x75	2				
84	531 20 58-39	locking disc, one half	4				
85	531 20 58-41	washer	2				
86	531 20 58-40	knob	2				
87	531 20 79-82	nut M8	2				
91	504 70 86-01	starter cable guide	1				
92	544 46 38-04	brake lever	1				